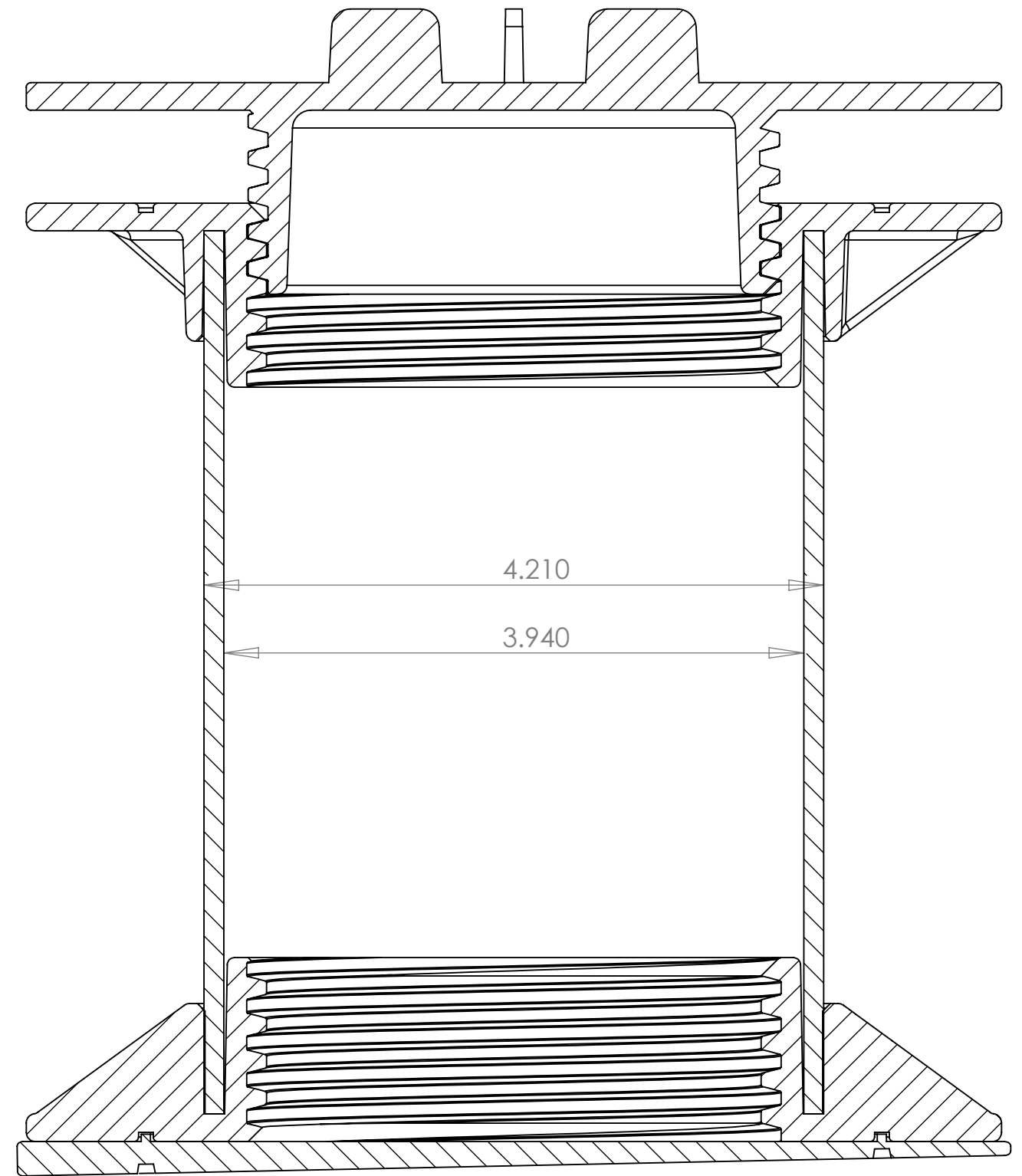
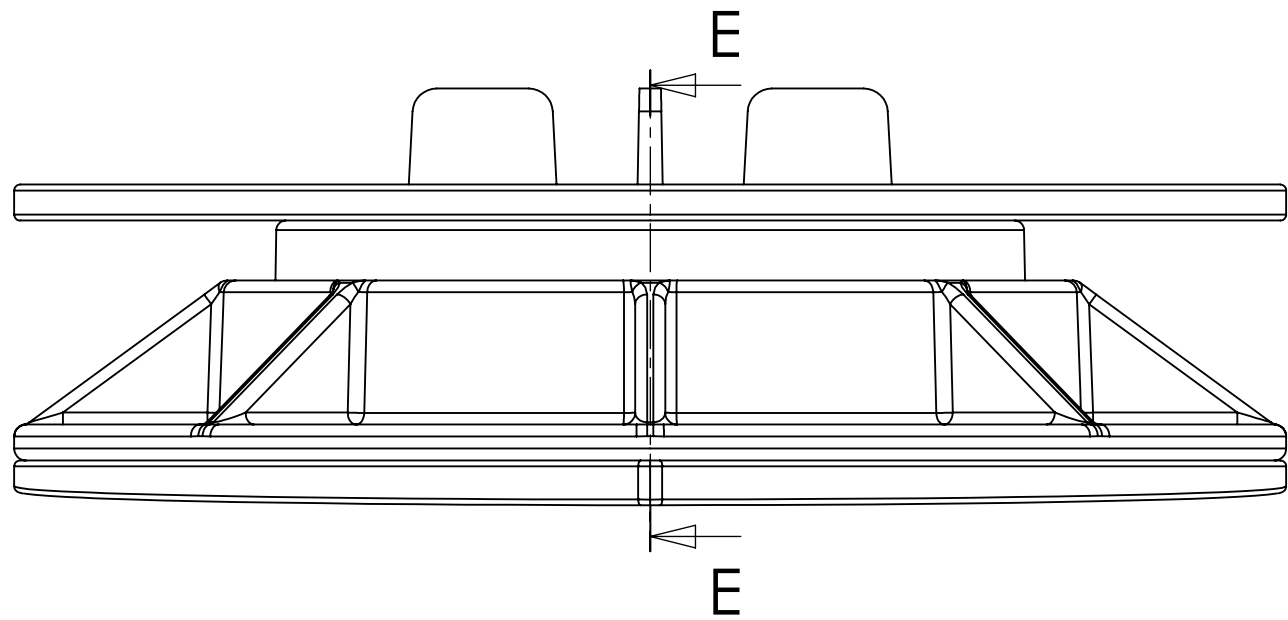
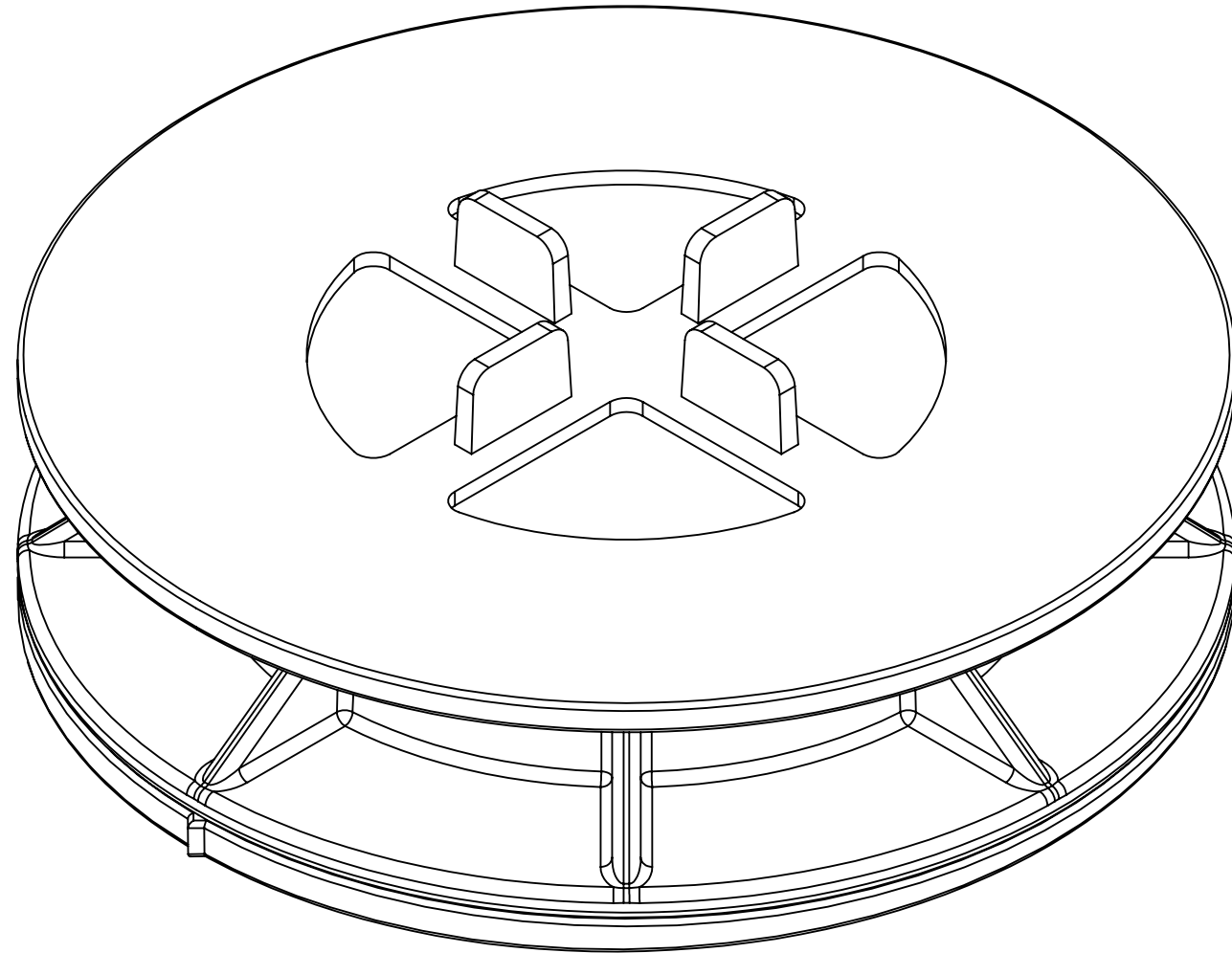
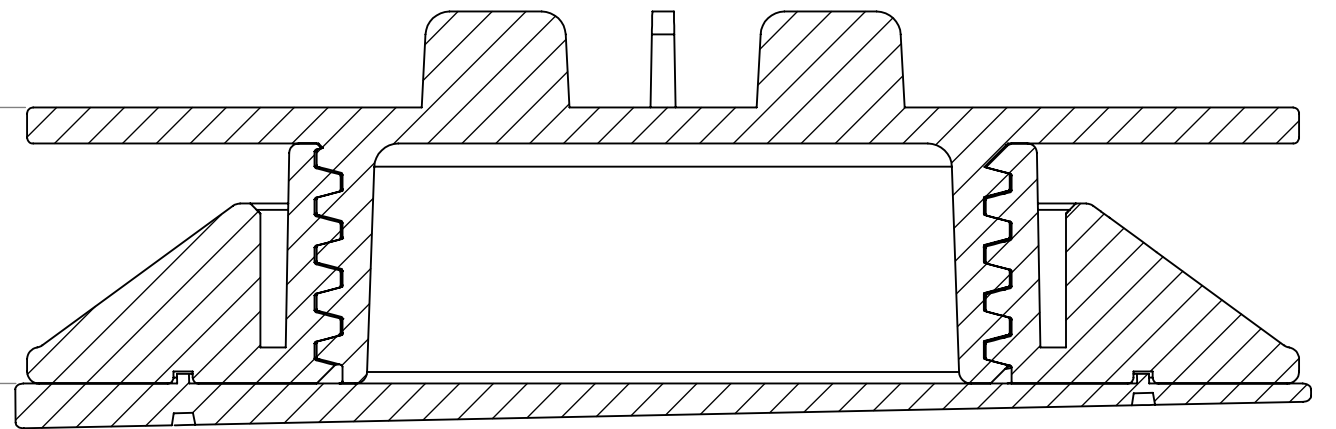


Maximum 1/2" of vertical adjustment



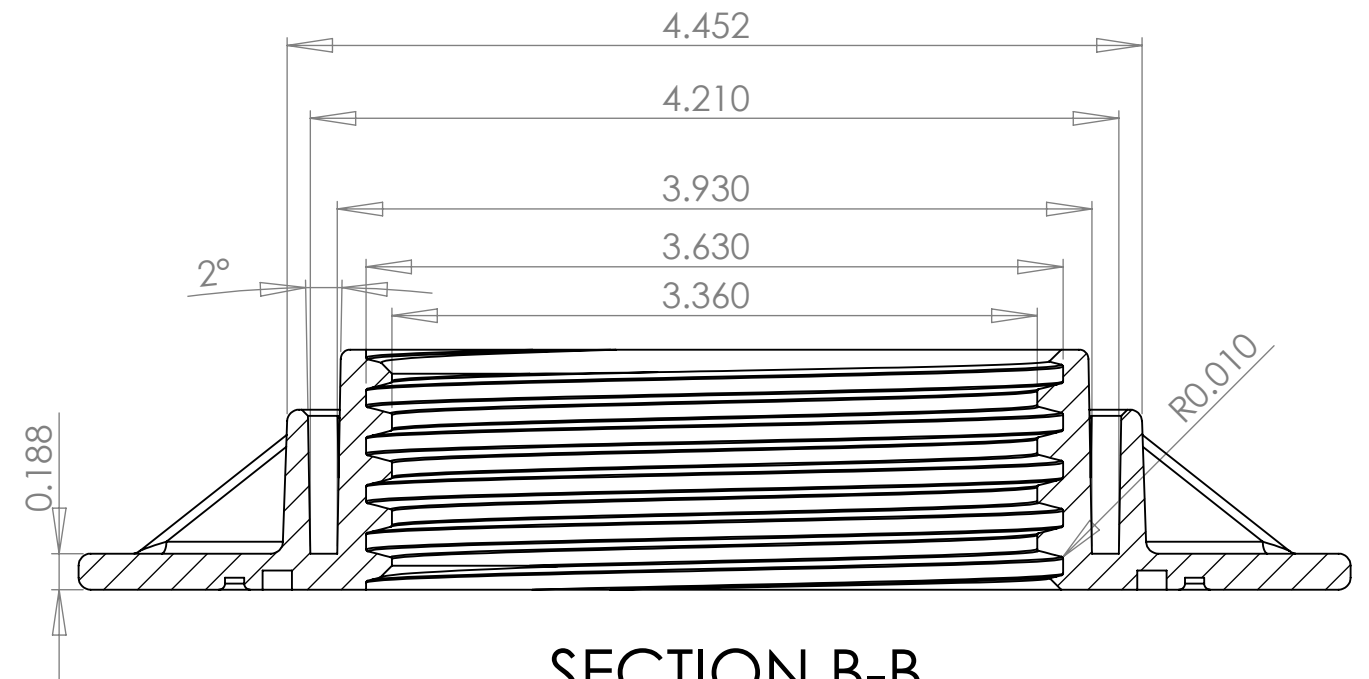
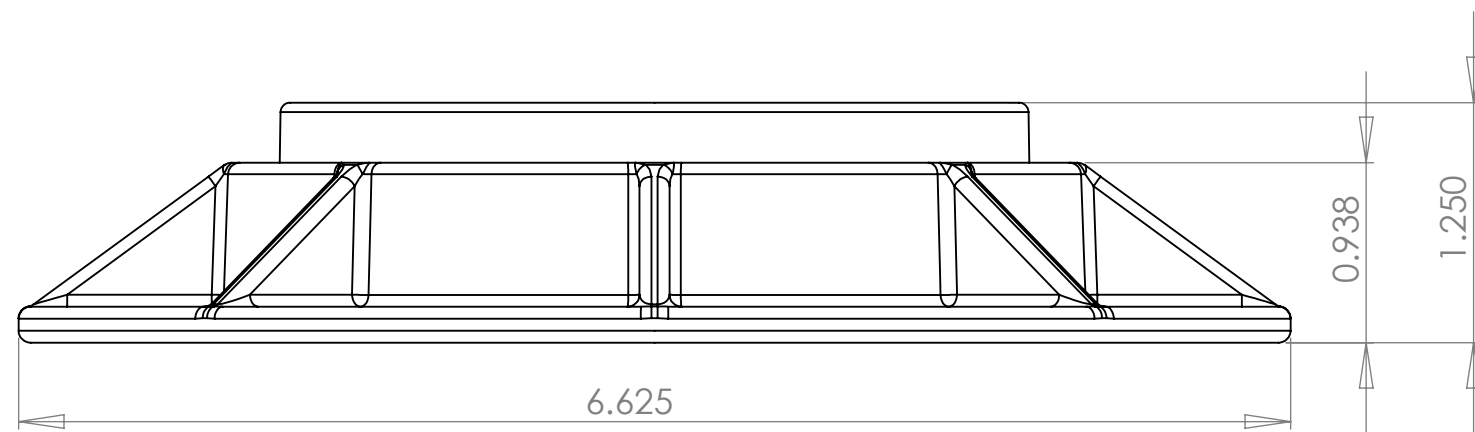
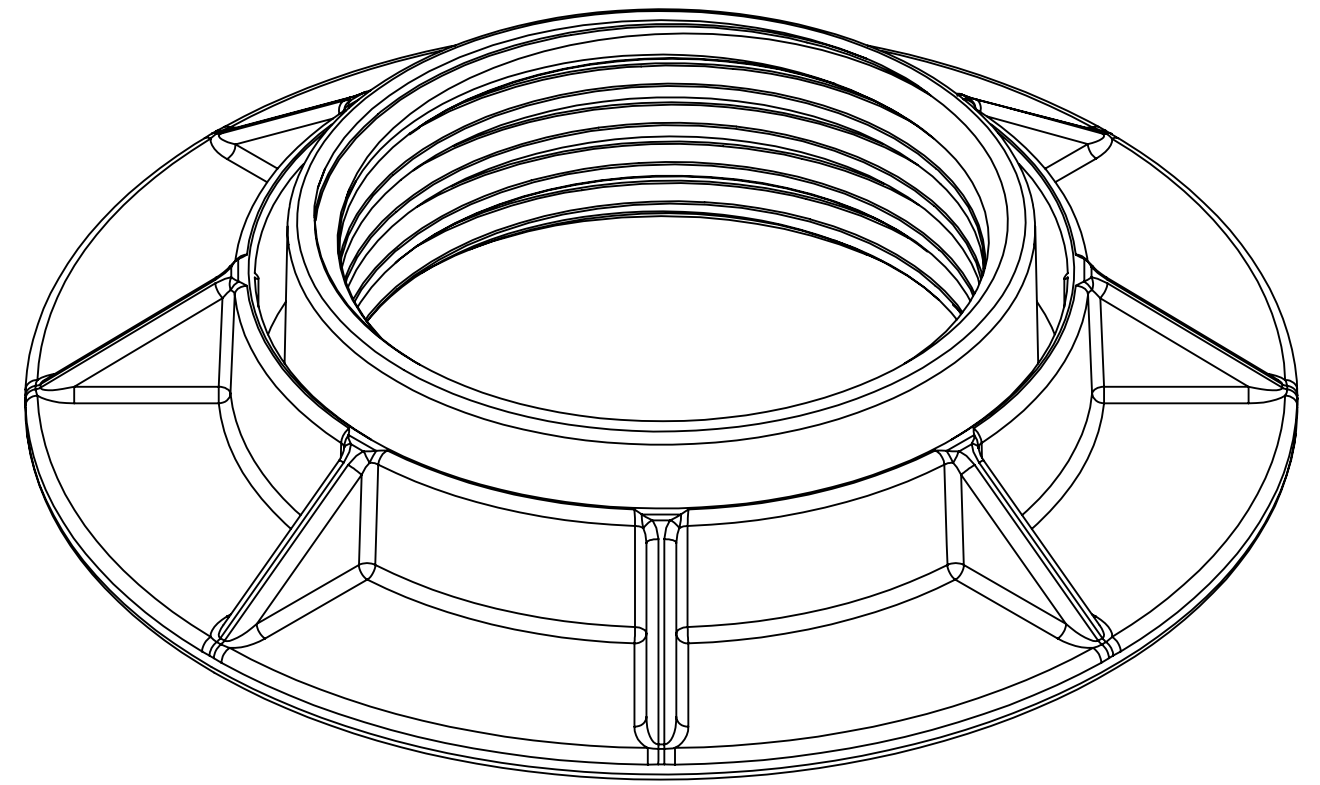
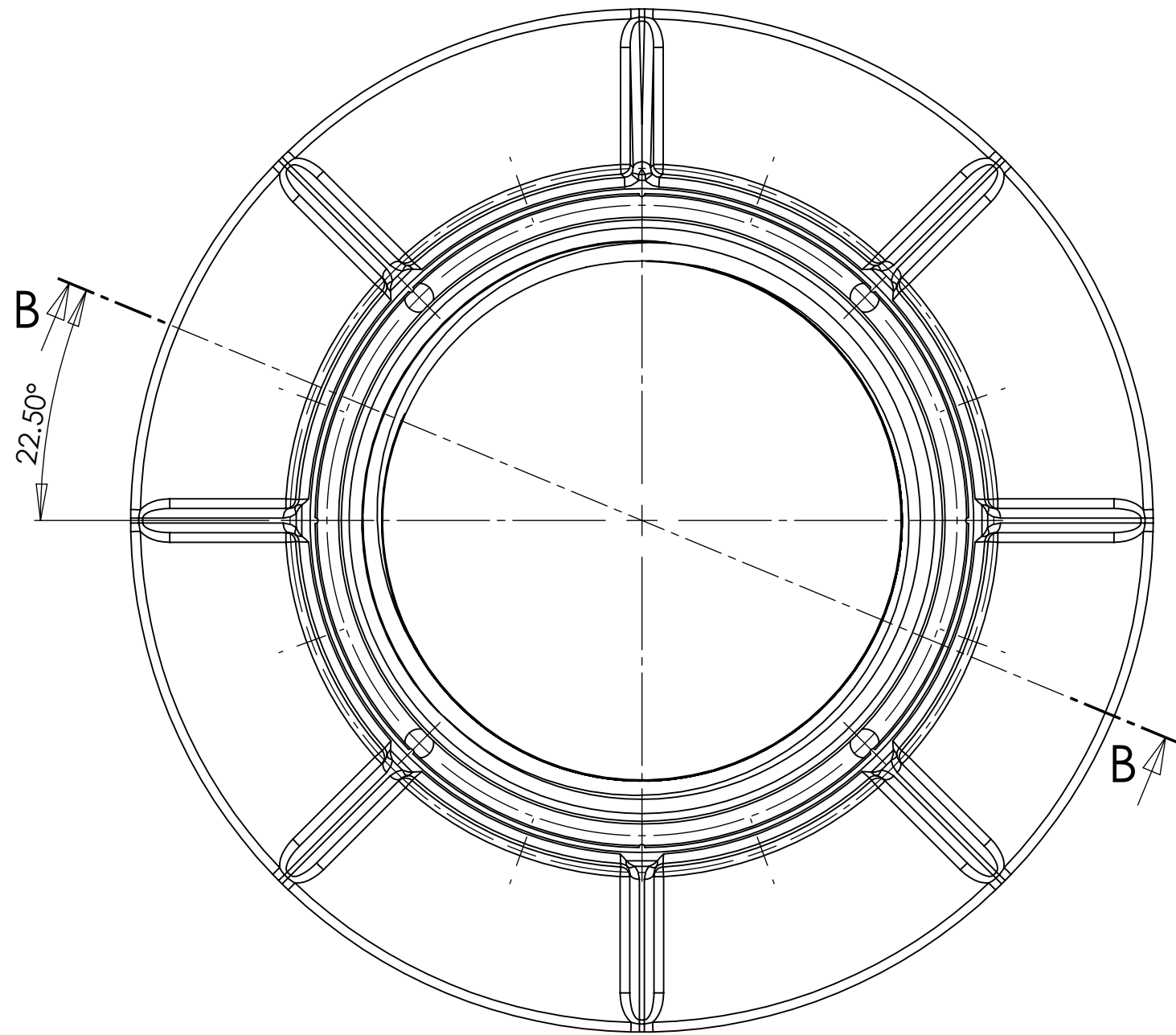


1.438



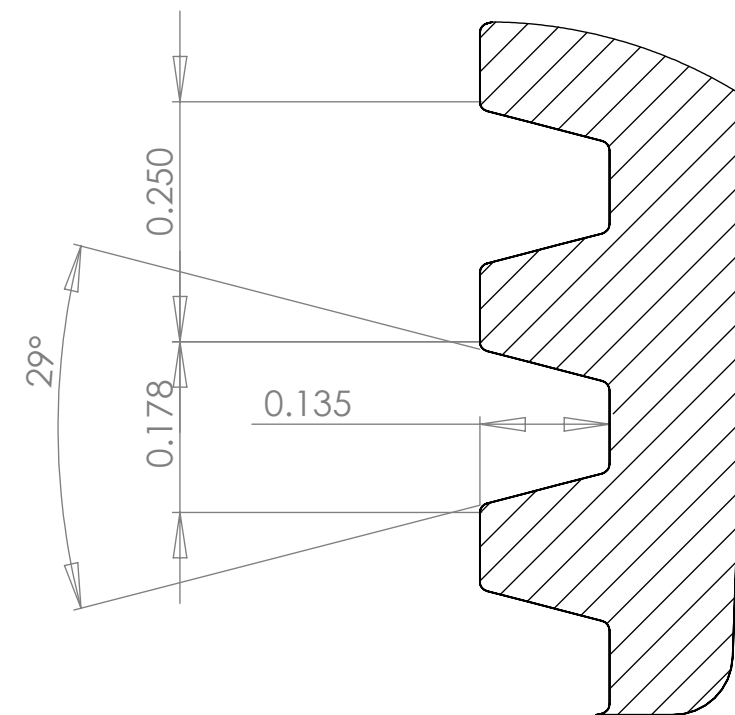
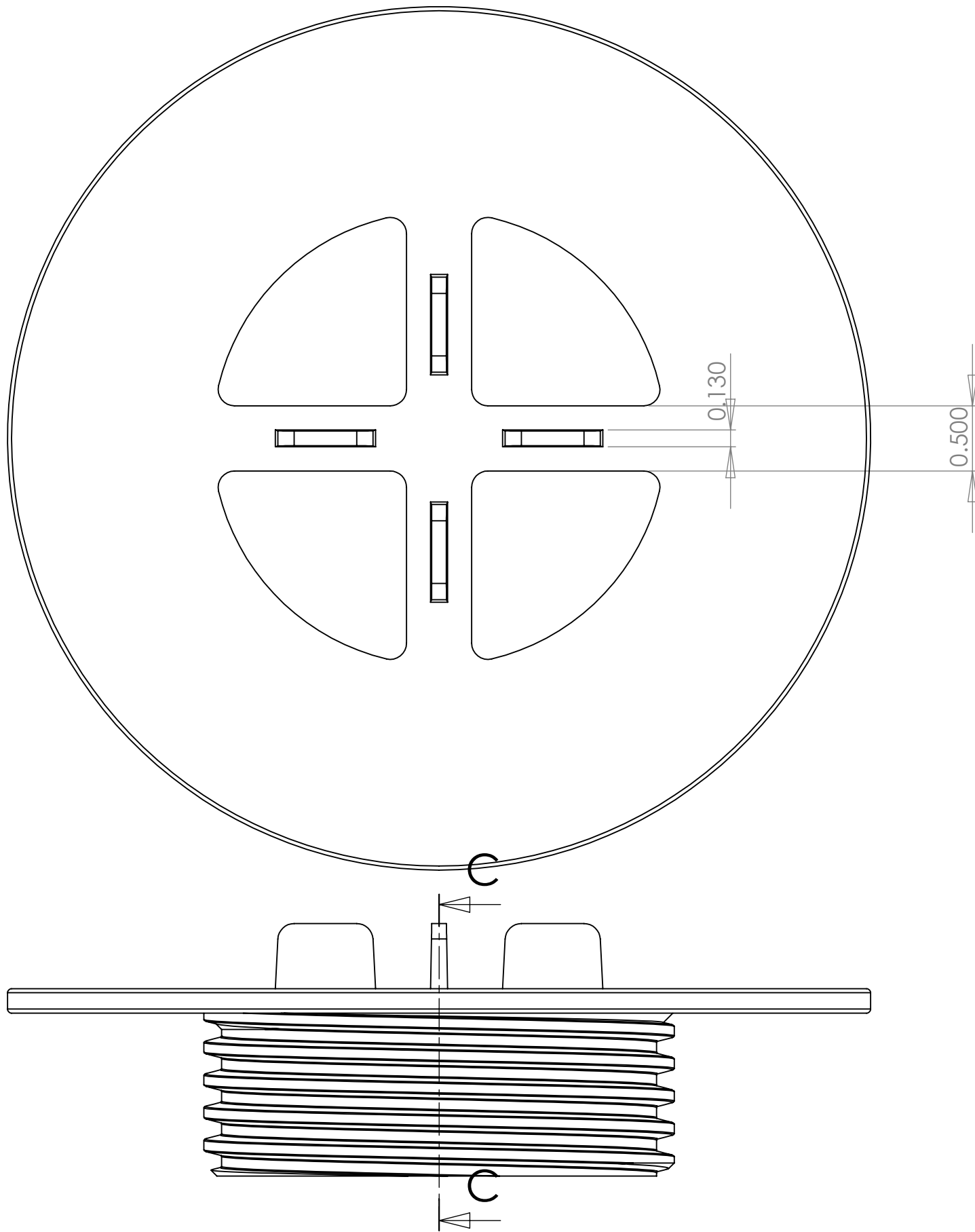
Maximum 1/2" of vertical adjustment

SECTION E-E

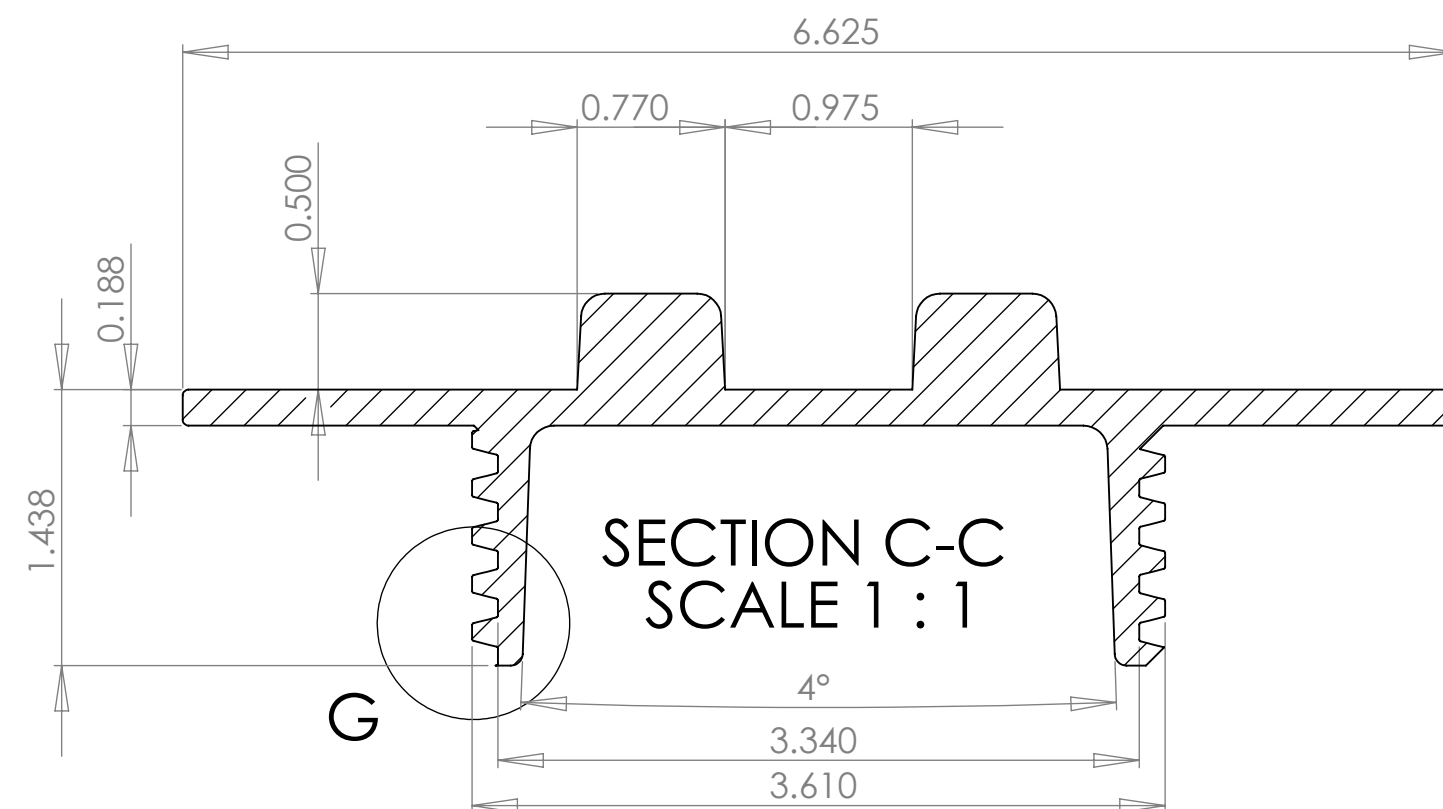


SECTION B-B

Component: Pedestal Cap
 Intended Material: ABS Cyclac FR15
 Volume = 8.67 cubic inches

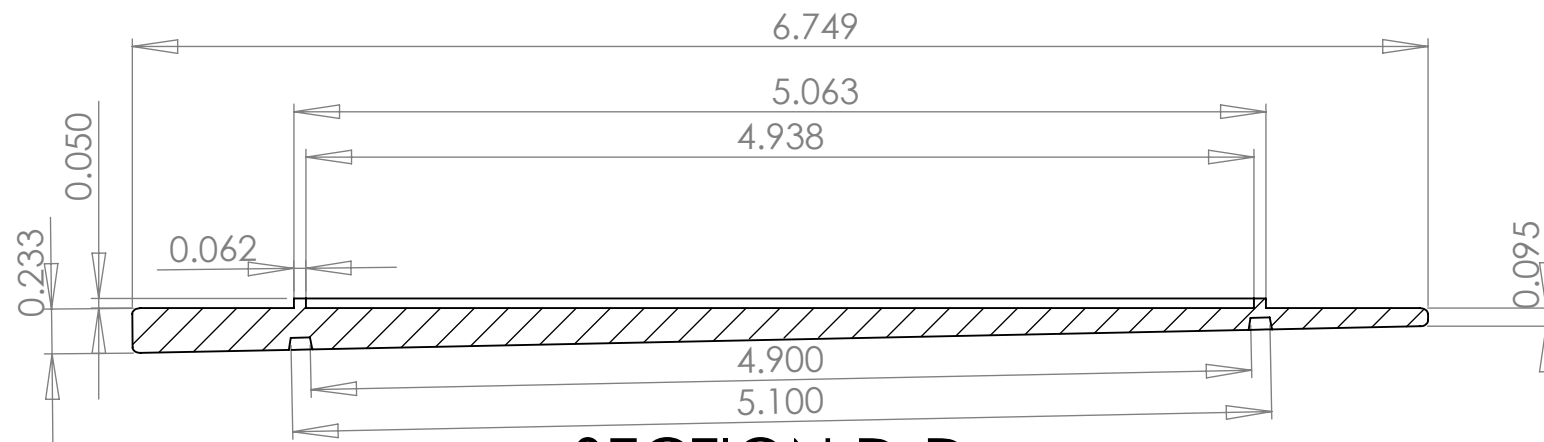
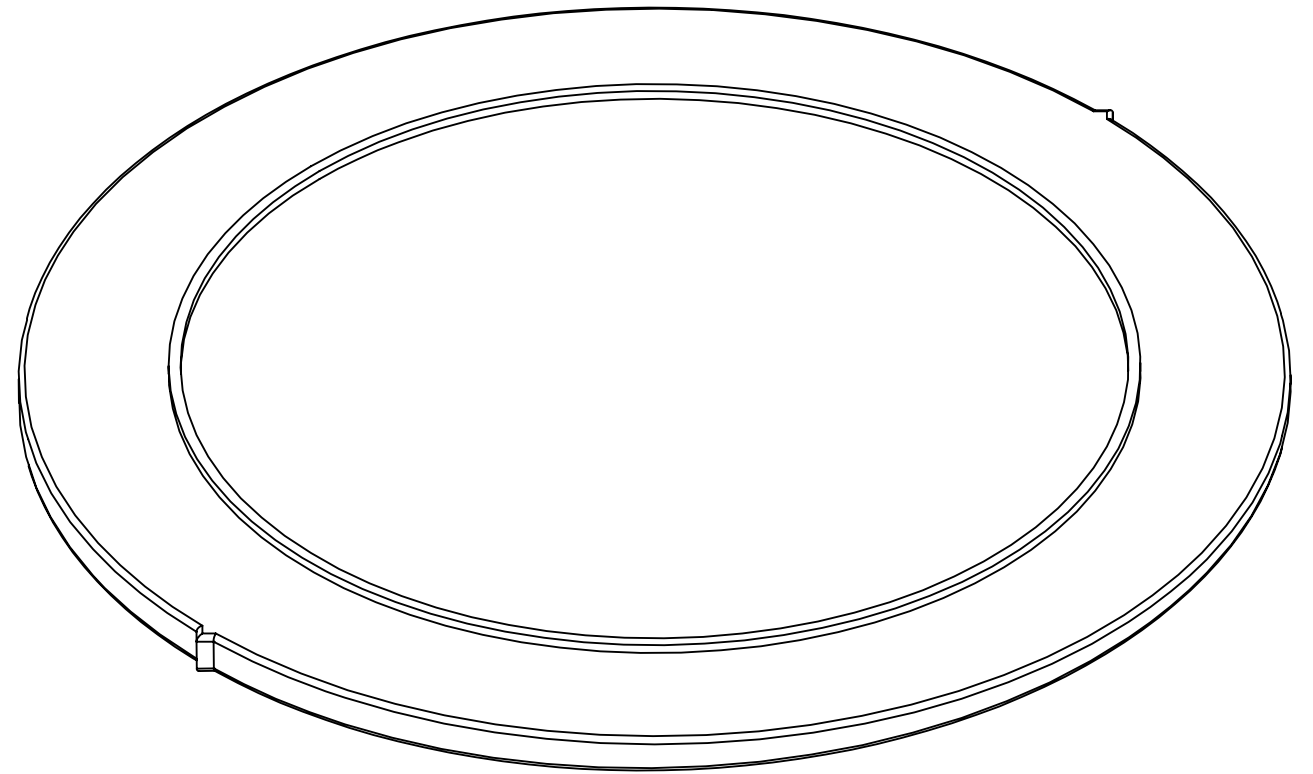
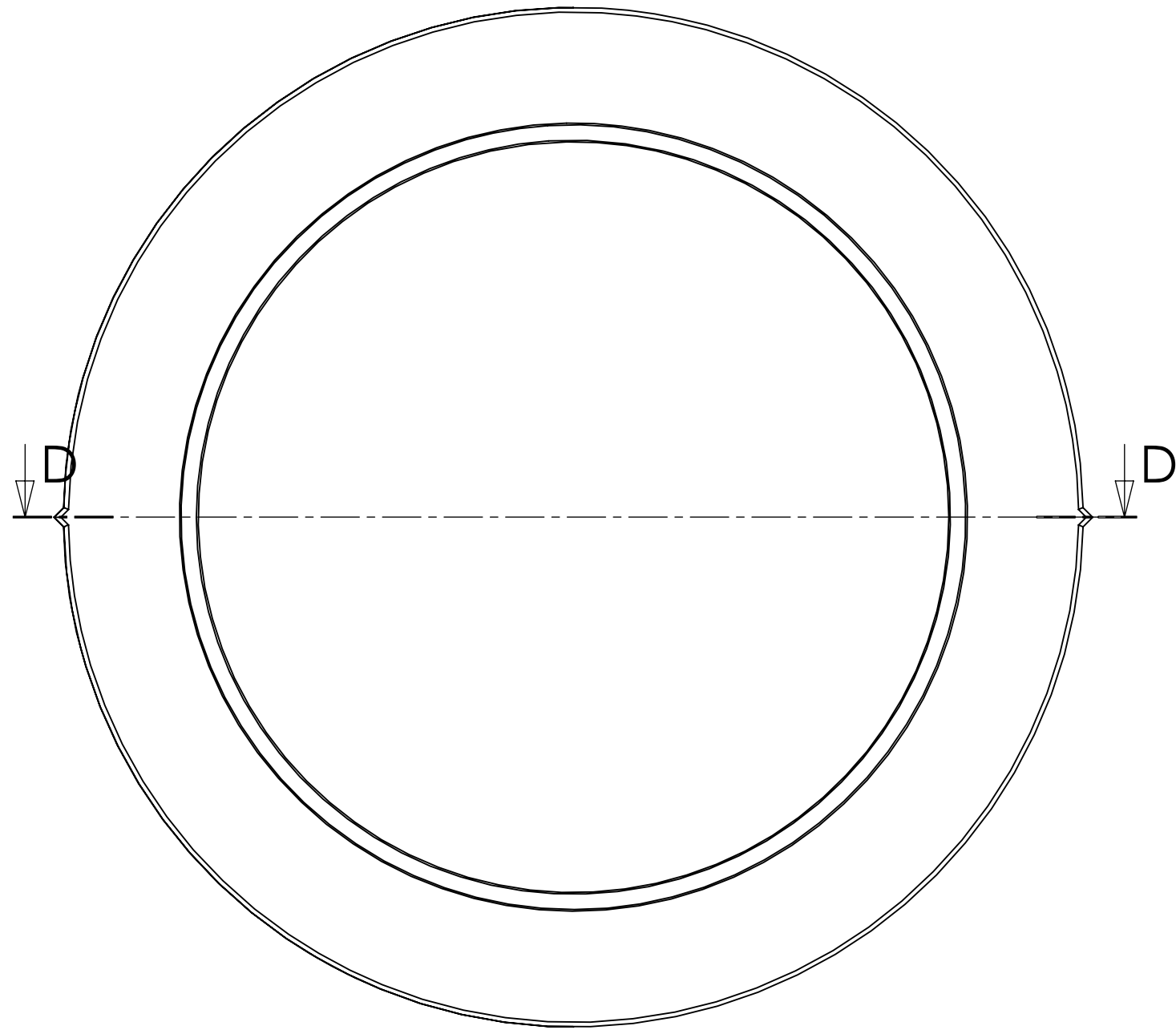


DETAIL G
SCALE 5 : 1



SECTION C-C
SCALE 1 : 1

Component: Pedestal Head
Intended Material: ABS Cycliclac FR15
Volume = 8.84 cubic inches



SECTION D-D
SCALE 1 : 1

Component: Buffer Pad - 1/4in/ft Sloped
 Intended Material: Rubber???
 Volume = 5.59 cubic inches